

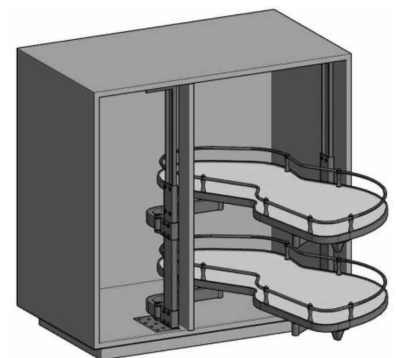
**Enterprise Swing Corner Unit**

**Update  
Feb 2017  
New Sizes**

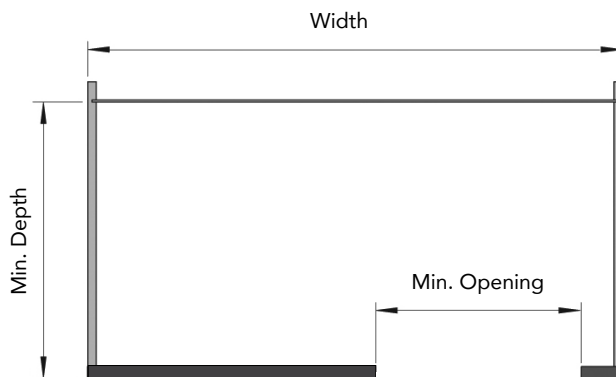


Right Hand unit shown

- Shelves pull out independently for ease of access
  - Height adjustable telescopic shaft (20" - 29-1/2") allows possibility of an overhead drawer
  - Beautiful maple shelves with non-slip surfacing to reduce shifting of pots and pans
  - Brushed Nickel trim; accents edges and railings
  - Can be used with Face Frame or Frameless Cabinets
  - Load Capacity: 110 lbs. (55 lbs. per shelf)
- 
- Minimum Installation Height: 20"
  - Minimum Installation Depth: 21"



Right Hand unit shown



<u>Code</u>	<u>Min Opening</u>	<u>Width</u>	<u>List/ea</u>
AS-R-15-3	16"	33-1/2"	\$ 430
AS-L-15-3	16"	33-1/2"	430
AS-R-18-3	19"	34-1/2"	440
AS-L-18-3	19"	34-1/2"	440
<b>AS-R-21-3</b>	<b>22"</b>	<b>39-1/2"</b>	<b>460</b>
<b>AS-L-21-3</b>	<b>22"</b>	<b>39-1/2"</b>	<b>460</b>



**Enterprise Swing Corner Unit specs**

Product Code	Min Opening
AS-R-15-3	16"
AS-L-15-3	16"
AS-R-18-3	19"
AS-L-18-3	19"
AS-R-21-3	22"
AS-L-21-3	22"

Drawer Above Door  
Door Opening Ht. = 20-1/2"

Height to Top Shelf

- SC = 14-3/4"
- VS = 15-3/4"
- K = 13-3/4"

Vertical Clearance

	Bottom Shelf	Top Shelf
SC =	7-1/2"	5-3/4"
VS =	8-3/4"	4-3/4"
K =	6-3/4"	6-3/4"

- SC = Enterprise Swing Corner
- VS = Vauth Sagel
- K = Kessebohmer

