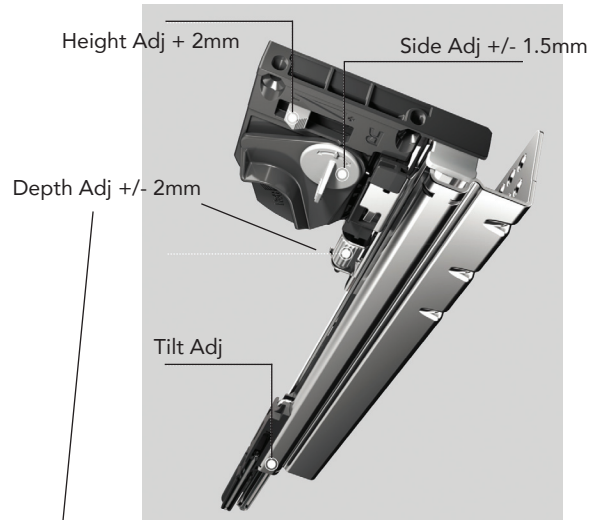


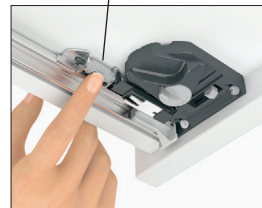


Sales Bulletin  
Jan 2016

## QUADRO 4D UNDERMOUNT SLIDES - IW21 4-Way adjustment for Perfect Gap alignment



- Load cap: 100 lbs. when mounted to cabinet wall  
66 lbs. when mounted with a rear bracket
- All steel chrome plated bearings ensure a smooth glide for the entire life of the slide
- Ingrated Silent System closes the drawer quietly and gently
- Tool-free adjustment for height, side, and inset depth. Optional rear tilt bracket is also tool-free.
- Self-cleaning ball-bearing tracks



Front Clip:  
- Side adj.  
- Height adj.



Rear Tilt Bracket

Code	Size	Ctn	List
9181140-41	9"	10 pr.	\$ 49.90 /pr
9181142-43	12"	10	45.36
9181144-45	15"	10	48.86
9181146-47	18"	10	48.90
9181148-49	21"	10	49.26
9181150-51	24"	10	83.43
9183185	Front Fixing Clip LH	100 ea.	\$ 1.33 /ea
9183186	Front Fixing Clip RH	100	1.33
9205924	Tilt Adjustment LH	100	1.11
9205925	Tilt Adjustment RH	100	1.11
9055093	Metal Rear Bracket	10	\$ 3.55 /st

