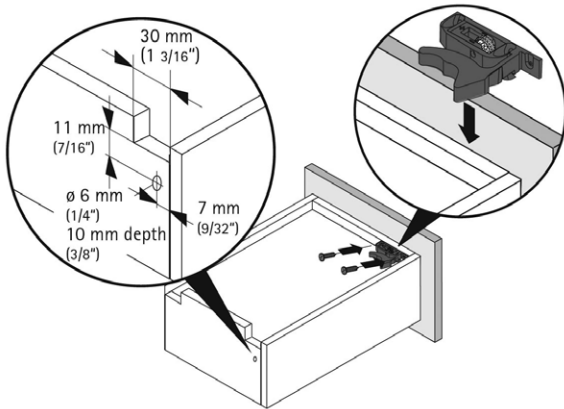




IW21 Front Clips for 1/2" Drawer Sides



- For use with Hettich IW21 drawer slides, for 1/2" drawer material
- Set contains one LH and RH front fixing clip
- With + 2.0 mm height adjustment
- Minimum drawer inside width: 6-1/2" (165mm)
- Installation recommended with two #6 x 3/4 in. flat head screws per clip



<u>Code</u>	<u>Description</u>	<u>Ctn</u>	<u>List/pr</u>
9140416	IW21 Front Clips for 1/2" mat.	10	\$ 1.24