



Sales Bulletin
Apr 2017

DynaPro 6 Way Clips

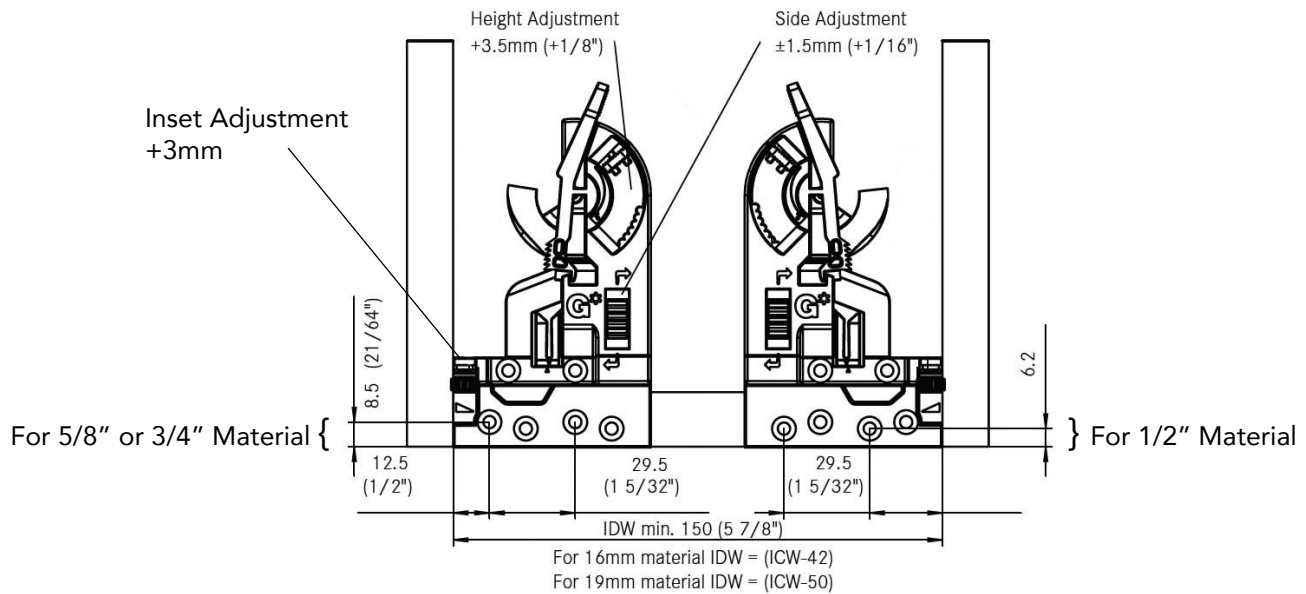
Inset + Height + Side Adjustment



DP-F-CL,
DP-F-CR

6-Way Front Clip
with Flanges

- Fits all DynaPro Slides
- Minimum inside drawer width 150mm (5-7/8")
- For drawer sides 1/2" to 3/4" (13 - 19mm)
- Lightweight, high strength polymer
- Height adjustment range: + 3.5mm
- Side adjustment range: ± 1.5mm
- Inset adjustment: 3.0mm out adjustment only



Pre-drilling recommended for all plywood drawer boxes. Use ø2.5mm (3/32").

Code	Description	List/ea
DP-F-CL	3D Front Clip, Left Hand	\$ 2.01
DP-F-CR	3D Front Clip, Right Hand	2.01